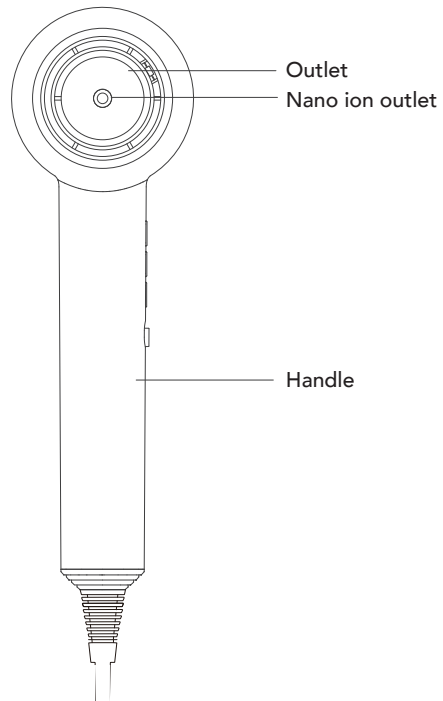
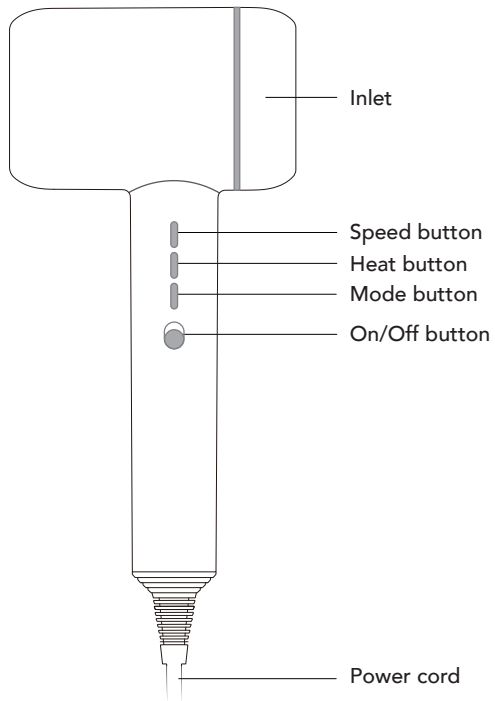
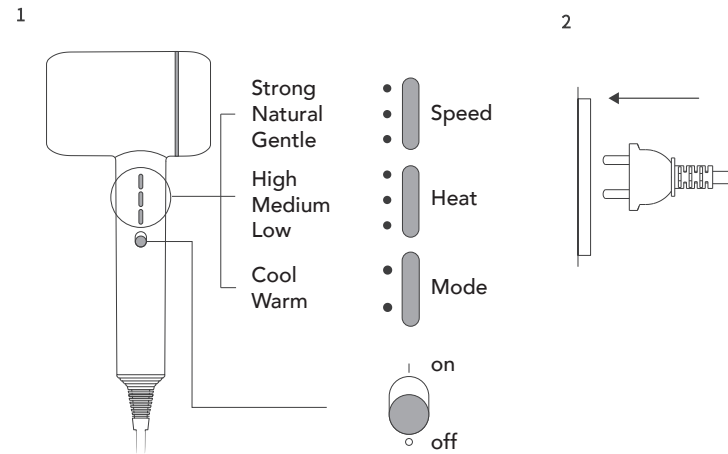


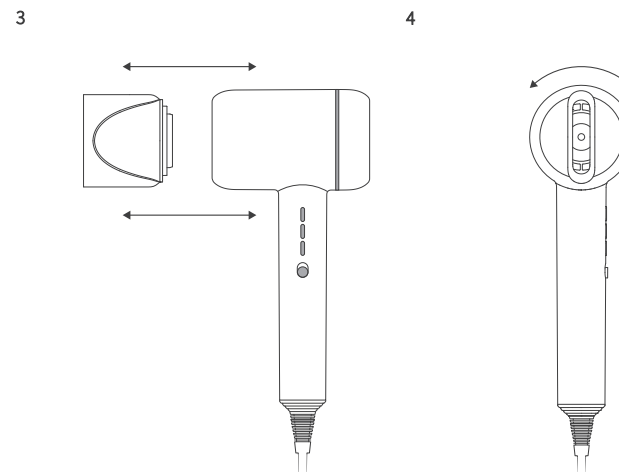
Parts



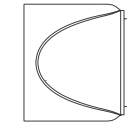
Use



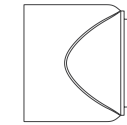
Make sure the on/off button is in the off (O) position, then put the plug in the socket. Push the on/off button to on (I) to turn on the appliance. Press the speed button to choose the suitable air speed and press the heat button to choose the air temperature. Press the mode button to choose warm mode, cool mode or warm/cool circulation mode.



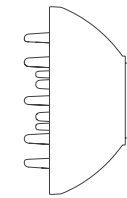
The product is equipped with easily removable magnetic nozzles, which can spin 360°



Quick Dry Nozzle
Quickly dry the hair through smooth, wide air flow.

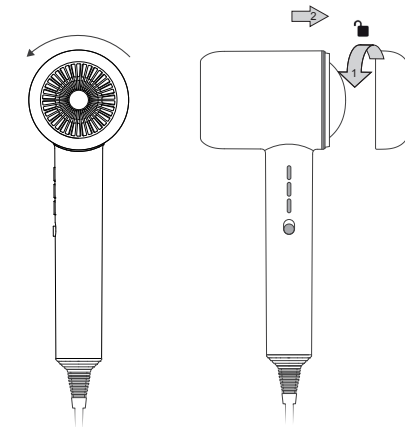


Styling Nozzle
With the help of a round comb, the focused wind can easily set the hair style of fringe, inner buckle or straight hair.



Diffuser Nozzle
Dispersing wind can make hair style have stereo feeling, make natural curly hair look more fluffy.

Maintenance



Make sure the on/off button is in the off (O) position, then unplug from the socket before cleaning. Wipe the body, inlet and outlet with a soft cloth. Take off the rear cover anticlockwise and clean the internal grid.